

Unit 9 - Week 7

| |
|--|
| Course outline |
| How does an NPTEL online course work? |
| Week 0 |
| Week 1 |
| Week 2 |
| Week 3 |
| Week 4 |
| Week 5 |
| Week 6 |
| Week 7 |
| <input type="radio"/> GIT, CCS Installation and Embedded C |
| <input checked="" type="radio"/> MSP430 Digital I/O |
| <input type="radio"/> MSP430 Digital I/O: Switch Interfacing |
| <input type="radio"/> Feedback Form |
| <input type="radio"/> Quiz : Assignment 7 |
| Week 8 |
| Week 9 |
| Week 10 |
| Week 11 |
| Week 12 |
| Lecture PPT |
| Download Videos |
| Assignment Solutions |
| Live Session |

Assignment 7

The due date for submitting this assignment has passed. As per our records you have not submitted this assignment.

Due on 2020-11-04, 23:59 IST.

- 1) Which of the following is not an advantage of using git? 0 points
- Data redundancy and replication is avoided.
 - Only one git directory per repository
 - git doesn't support commit across multiple branches
 - Any sort of project can use GIT

No, the answer is incorrect.
Score: 0
Accepted Answers:
git doesn't support commit across multiple branches

- 2) If you have a local repository, but other people on your team have pushed changes into the remote repository then what Git operation would you use to download those changes into your working copy? 1 point

- Checkout
- Pull
- Commit
- Update

No, the answer is incorrect.
Score: 0
Accepted Answers:
Pull

- 3) What is the size of an int data type? 1 point

- 4 bytes
- 8 bytes
- Depends on the system/compiler
- Cannot be determined

No, the answer is incorrect.
Score: 0
Accepted Answers:
Depends on the system/compiler

- 4) Which of the following best states the reason why baud rate is mentioned in serial communication? 1 point

- To know the speed of communication
- To ensure transmission and reception of data bits correctly
- To use timers
- For using memory

No, the answer is incorrect.
Score: 0
Accepted Answers:
To ensure transmission and reception of data bits correctly

- 5) Which of the following registers is used to select the functionality of a port pin? 1 point

- PxDIR
- PxSEL
- PxREN
- PxIN

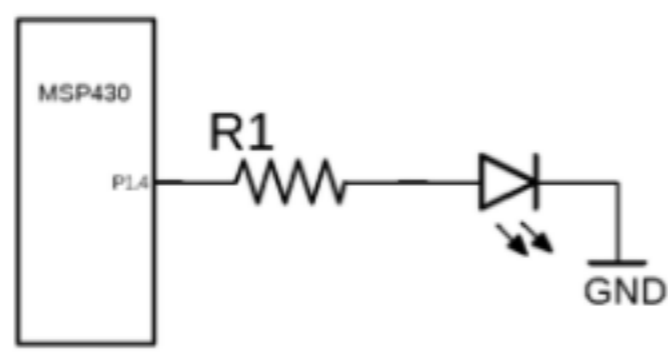
No, the answer is incorrect.
Score: 0
Accepted Answers:
PxSEL

- 6) Which bitwise operator can be used to set a particular bit value to 1 without disturbing the other bits? 1 point

- OR (|)
- AND (&)
- XOR (^)
- NOT (~)

No, the answer is incorrect.
Score: 0
Accepted Answers:
OR (|)

- 7) An LED is connected to a pin P1.4. If P1DIR.4 = 0, what will happen if we execute P1OUT.4=1? 1 point



- The LED will glow at full intensity.
- The LED will glow but will be dim.
- The LED will not glow.
- The LED will start blinking.

No, the answer is incorrect.
Score: 0
Accepted Answers:
The LED will not glow.

- 8) What is the instruction to turn the User LED off on MSP430 Lunchbox? 1 point

- P1OUT |= (0x80)
- P1OUT &= (0x80)
- P1OUT |= (~0x80)
- P1OUT &= (~0x80)

No, the answer is incorrect.
Score: 0
Accepted Answers:
P1OUT &= (~0x80)

- 9) Which of the following instructions will enable the pulldown configuration on pin P1.2 in MSP430? 1 point

- P1REN |= 0x04 and P1OUT |= 0x04
- P1REN &= (~0x04) and P1OUT |= 0x04
- P1REN |= 0x04 and P1OUT &= (~0x04)
- P1REN &= (~0x04) and P1OUT &= (~0x04)

No, the answer is incorrect.
Score: 0
Accepted Answers:
P1REN |= 0x04 and P1OUT &= (~0x04)

- 10) Upon reading a switch, we get '1' when the switch is pressed and '0' when the switch is not pressed. In what configuration is the resistor connected to the switch? 1 point

- Pullup
- Pulldown
- Cannot be determined
- None of the above

No, the answer is incorrect.
Score: 0
Accepted Answers:
Pulldown