

# Unit 2 - Week 1

## Course outline

### How to access the portal?

#### Week 1

- Introduction to Projects
- Inputs to Scheduling
- Critical Path Method
- Quiz : Week 1 Assignment 1
- Feedback Form

#### Week 2

#### Week 3

#### Week 4

#### Lecture Materials

#### Solution of Assignments

#### Transcript PDF Files

## Week 1 Assignment 1

The due date for submitting this assignment has passed. As per our records you have not submitted this assignment.

**Due on 2019-09-11, 23:59 IST.**

- 1) Read the following statements of work breakdown structure:
- It is a graphical representation
  - It is very complex and confusing
  - It is a hierarchical breakdown or decomposition of a project
  - It is a technique for defining scope of the project

1 point

Which of the above statements are correct?

- 1 and 2.  
 2 and 4.  
 3 and 4.  
 1, 2 and 4.

No, the answer is incorrect.  
Score: 0

Accepted Answers:  
3 and 4.

- 2) Please read the following statements:

- Critical path has no float and it determines the project completion period
- Critical path is the largest path which actually is the shortest duration within which the project can be completed

1 point

Which of the above statements are wrong?

- 1 only.  
 2 only.  
 Both 1 and 2.  
 Neither 1 nor 2.

No, the answer is incorrect.  
Score: 0

Accepted Answers:  
Neither 1 nor 2.

- 3) Arrange the following steps of project scheduling in correct order

- Develop the schedule.
- Define the activities.
- Determine the logical dependency between the activities.
- Calculate the time required for each activity.
- Estimate the resources required for each activity.

1 point

- 2-5-3-4-1.  
 1-2-3-4-5.  
 2-3-5-4-1.  
 2-4-5-3-1.

No, the answer is incorrect.  
Score: 0

Accepted Answers:  
2-3-5-4-1.

- 4) Read the following equations:

- Difference between total float and free float = Interfering float.
- Difference between contract completion time and planned completion time = terminal float.
- Difference between contract completion time with inflexible constraints and planned completion time can result in negative float.

1 point

Which of these equations are correct?

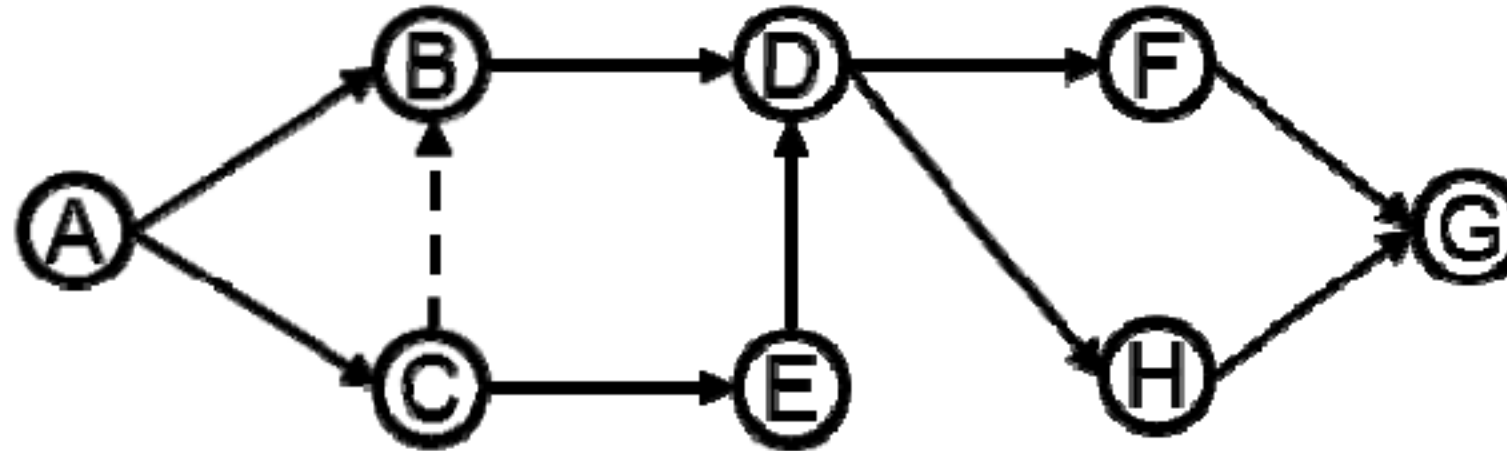
- 1 only.  
 2 and 3.  
 All of these.  
 None of these.

No, the answer is incorrect.  
Score: 0

Accepted Answers:  
All of these.

- 5) What is the correct order of events as given by Fulkerson's rule is in the given AoA network?

1 point



- A-B-C-D-E-F-G-H  
 A-C-B-E-D-F-G-H  
 A-C-B-E-D-H-F-G  
 A-B-C-E-D-F-H-G

No, the answer is incorrect.  
Score: 0

Accepted Answers:  
A-C-B-E-D-H-F-G

- 6) A set of activities and their immediate predecessor activities are given below.

Activity	A	B	C	D	E	F	G	H
IPA	-	A	B,E	A	A	A	D,E	D,E
Activity	I	J	K	L	M	N	O	
IPA	D,E	E,F	G,J	K,H	C,L	M,I	N	

1 point

The immediate successor activities for 'C' and 'I' are \_\_\_\_ and \_\_\_\_ respectively:

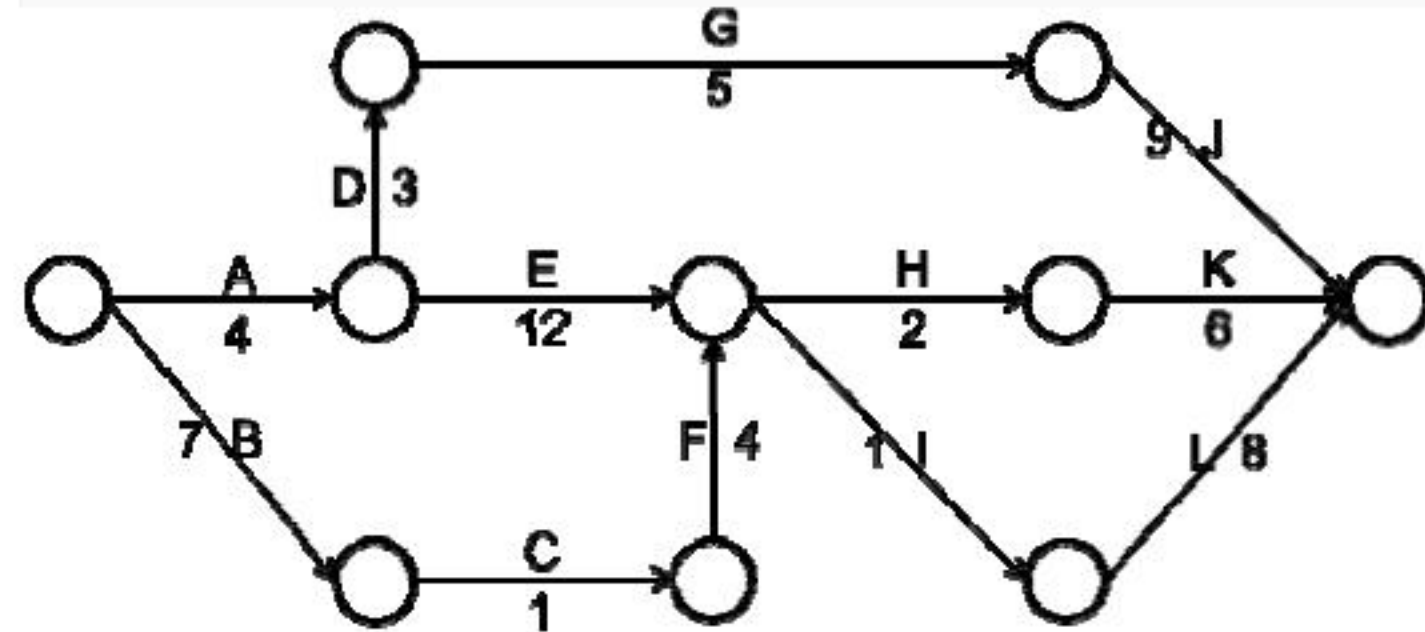
- M and J.  
 M and N.  
 M and O.  
 O and J.

No, the answer is incorrect.  
Score: 0

Accepted Answers:  
M and N.

- 7) The project duration and maximum value of slack for the following AoA network is \_\_\_\_ and \_\_\_\_ respectively.

1 point



- 24 days and 8.  
 25 days and 8.  
 24 days and 4.  
 25 days and 4.

No, the answer is incorrect.  
Score: 0

Accepted Answers:  
25 days and 4.

- 8) Do the AoN network analysis and tick the right answer?

1 point

Activities	A	B	C	D	E	F	G	H	I
IPA	B,E,D	-	D,E	-	-	D	A	C	F
Duration	3	5	3	2	7	8	4	5	2

Project duration	ES of activity C	TF of activity G	FF of activity F
14	8	0	0

Project duration	ES of activity C	TF of activity G	FF of activity F
15	7	1	0

Project duration	ES of activity C	TF of activity G	FF of activity F
15	8	1	1

Project duration	ES of activity C	TF of activity G	FF of activity F
14	7	0	1

No, the answer is incorrect.  
Score: 0

Accepted Answers:

Project duration	ES of activity C	TF of activity G	FF of activity F
15	7	1	0

- 9) Draw the AOA network for the project data as shown in the table below. The minimum number of dummies required against unique representation of activities and to establish the logical relationship between the activities are \_\_\_\_ and \_\_\_\_.

1 point

Activity	A	B	C	D	E	F	G	H	I	J	K
IPA	-	-	-	A,B	B	B,C	A,B	E,F,G	D	E,F,G	H,J

- 0 and 3.  
 1 and 2.  
 3 and 0.  
 2 and 1.

No, the answer is incorrect.  
Score: 0

Accepted Answers:  
1 and 2.