

Unit 5 - Week 4

Course outline

How to access the portal?

Week 1

Week 2

Week 3

Week 4

● Dependency Structure Matrix-III

○ Beeline Diagramming Method

● Other Scheduling Techniques

○ Quiz : Assignment 4

○ Feedback Form

Lecture Materials

Solution of Assignments

Transcript Pdf Files

Assignment 4

The due date for submitting this assignment has passed.
As per our records you have not submitted this assignment.

Due on 2019-09-25, 23:59 IST.

1) Which of these does not represent the multiple information flow among any two teams? 1 point

- Beelines
- Overlaps
- Linkages
- Multiple sharing

No, the answer is incorrect.
Score: 0

Accepted Answers:
Multiple sharing

2) List the odd one out? 1 point

- PDM
- BDM
- Bar Chart
- DSM

No, the answer is incorrect.
Score: 0

Accepted Answers:
Bar Chart

3) In Table 1, activities and their uncertainty in duration captured in terms of optimistic, most likely and pessimistic duration (t_o , t_m and t_p respectively). The project duration is _____. 1 point

Activity ID	IPA	t_o	t_m	t_p
A	-	10	12	16
B	A	6	9	12
C	B,D	2	3	5
D	-	8	10	14
E	D	5	6	8
F	E	2	3	4
G	-	1	2	3
H	G	7	9	11
J	E,H	1	2	3

- 21.3
- 22.5
- 24.5
- 21.5

No, the answer is incorrect.
Score: 0

Accepted Answers:
24.5

4) A BDM network of three teams A, B and C is shown in Figure 1. Which is the correct N-N linkage for transfer of parameter P1 from A team to B team? 1 point

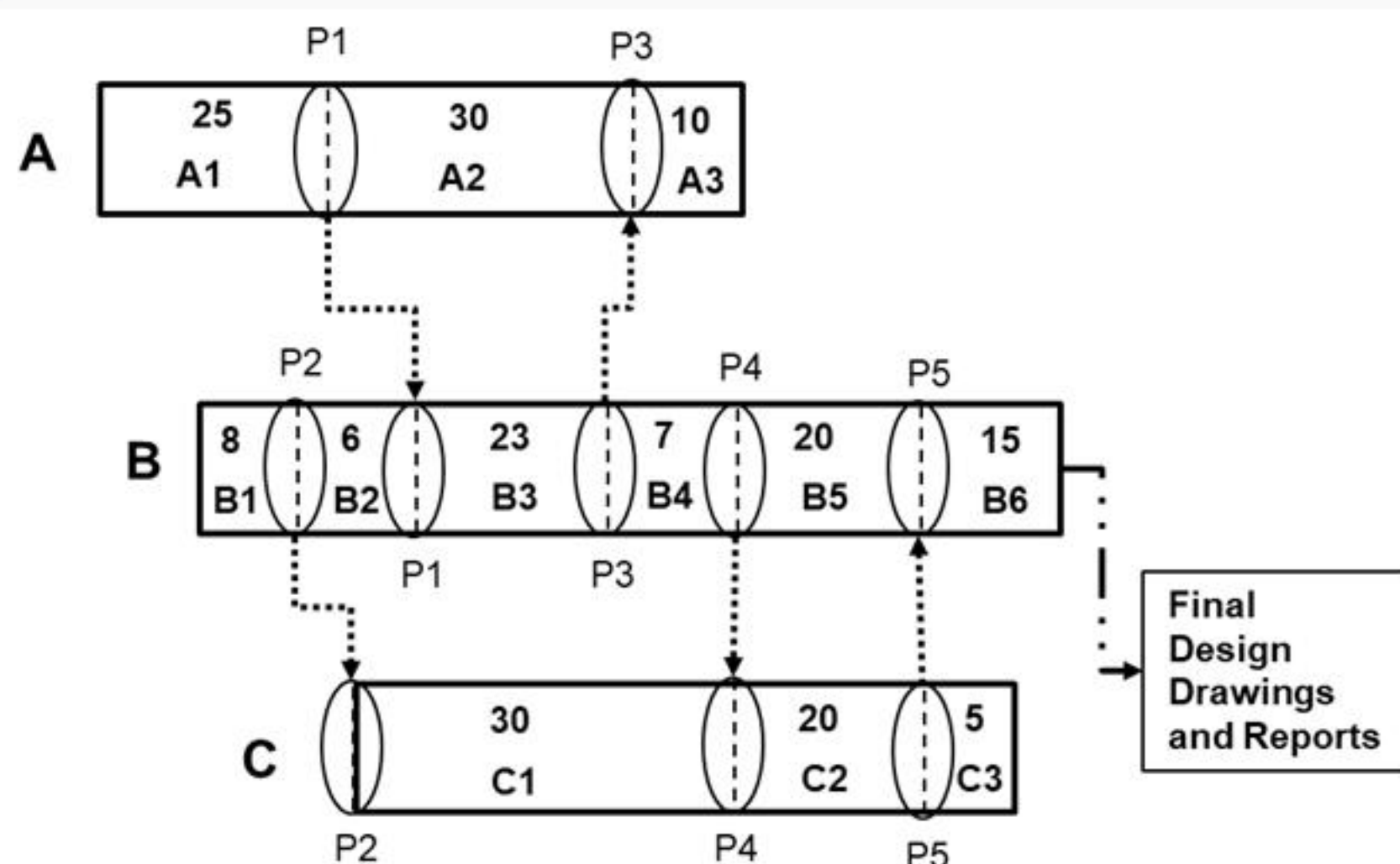


Figure 1 – BDM representation

- 25-8
- 25-6
- 14-25
- 25-14

No, the answer is incorrect.
Score: 0

Accepted Answers:
25-14

5) What is the N-N linkage for parameter P5 shown in Figure 1? 1 point

- 20-20
- 5-15
- 50-64
- 50-20

No, the answer is incorrect.
Score: 0

Accepted Answers:
50-64

6) What is final duration for the BDM network in Figure 1? 1 point

- 15
- 80
- 79
- 90

No, the answer is incorrect.
Score: 0

Accepted Answers:
90

7) What are the critical parameters (critical path) for BDM network shown in Figure 1? 0 points

- P1-P2-P3
- P1-P3-P4-P5
- P1-P4-P5
- P2-P3-P4-P5

No, the answer is incorrect.
Score: 0

Accepted Answers:
P1-P4-P5

8) In a GERT Network, which of these relationships are not used for linking activities? 1 point

- exclusive or deterministic
- deterministic and probabilistic
- inclusive or probabilistic
- And probabilistic

No, the answer is incorrect.
Score: 0

Accepted Answers:
deterministic and probabilistic